

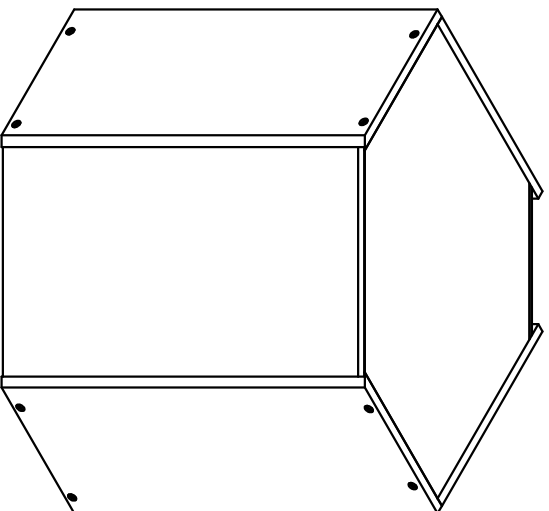
WALL CABINET ASSEMBLY INSTRUCTION

WDC2430

WDC2436

WDC2730

WDC2736





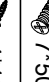


Assembly instructions

Carefully read the Instructions before starting the installation.

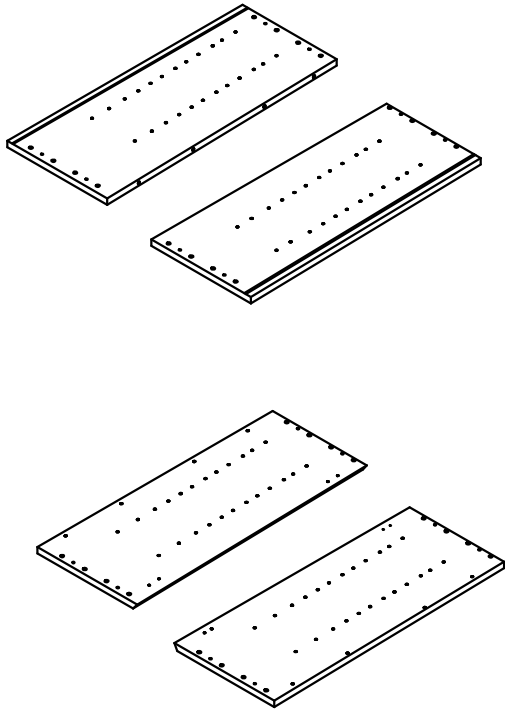
During assembly, please follow all generally accepted safety procedures.

If you are missing any part, please stop and contact us immediately at

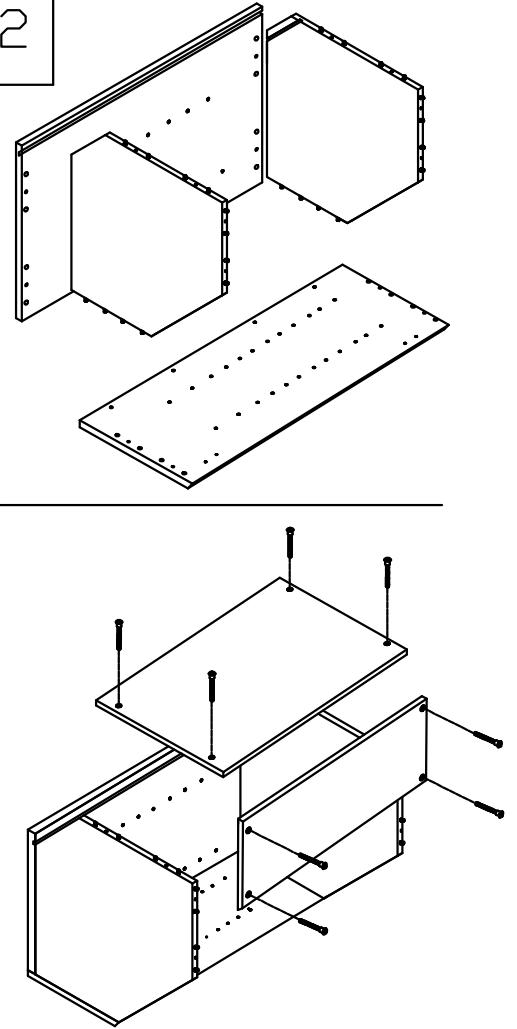
Hardware	Fitting	
Hinge		2PCS
Shelf Support		8PCS
Bumper		2PCS
Cabinet Screws	 7*50	16CS
Screws	 4*16	8PCS

Left Front Side Panel	1PC
Right Front Side Panel	1PC
Left Back Side Panel	1PC
Right Back Side Panel	1PC
Bottom Panel	1PC
Back Panel	1PC
Top panel	1PC
Removable Shelf	2PCS

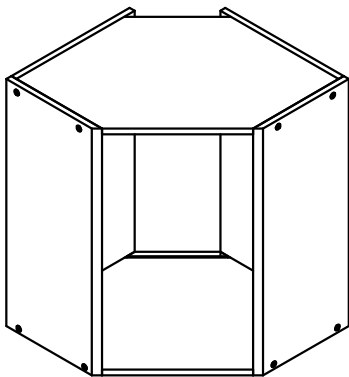
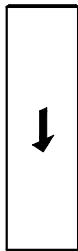
Step1



Step2



Step3



Step4

