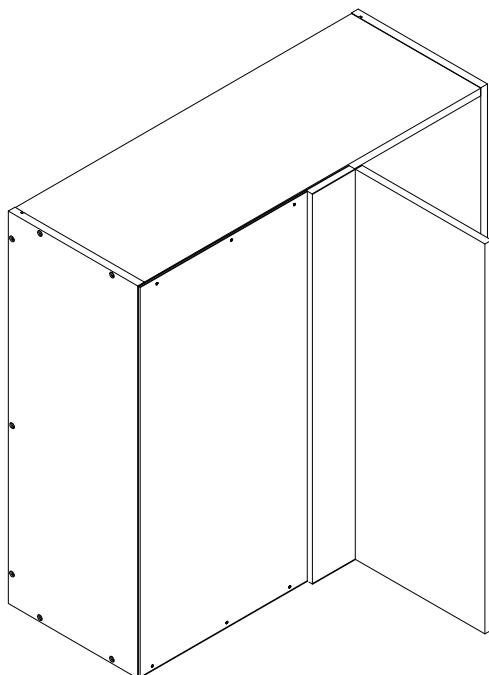


# WALL CABINET ASSEMBLY INSTRUCTION

WBC2736  
WBC3036








## Assembly instructions

Carefully read the Instructions before starting the installation.

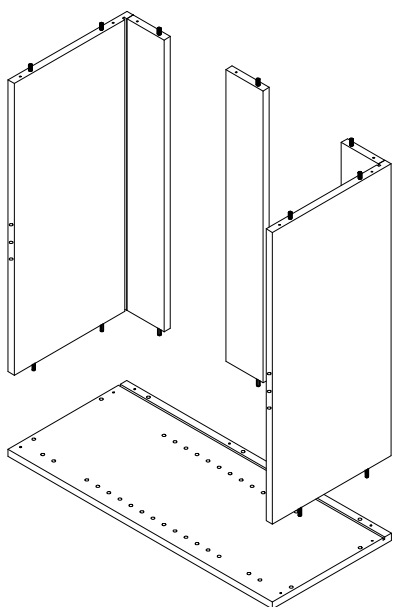
During assembly, please follow all generally accepted safety procedures.

If you are missing any part, please stop and contact us immediately at

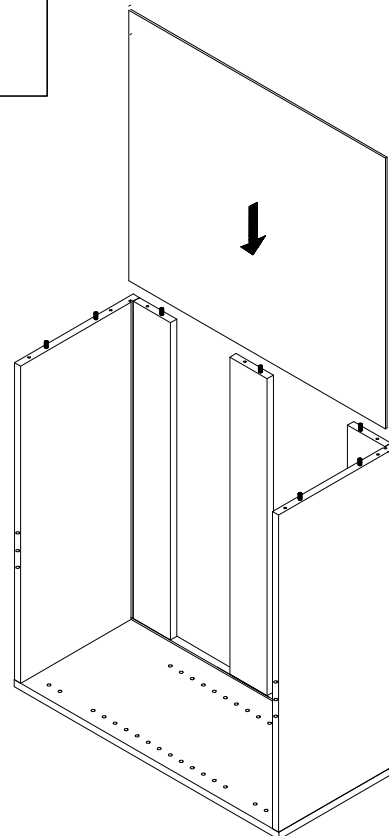
Hardware Fitting		
Hinge		2PCS
Shelf Support		8PCS
Bumper		6PCS
Cabinet Screws	 7*50	14CS
Screws	 4*16	14PCS

Left Side Panel	1PC
Right Side Panel	1PC
Bottom Panel	1PC
Back Panel	1PC
Support Rail	3PCS
Top Panel	1PC
Removable Shelf	2PCS
Blind baffle 2	1PC

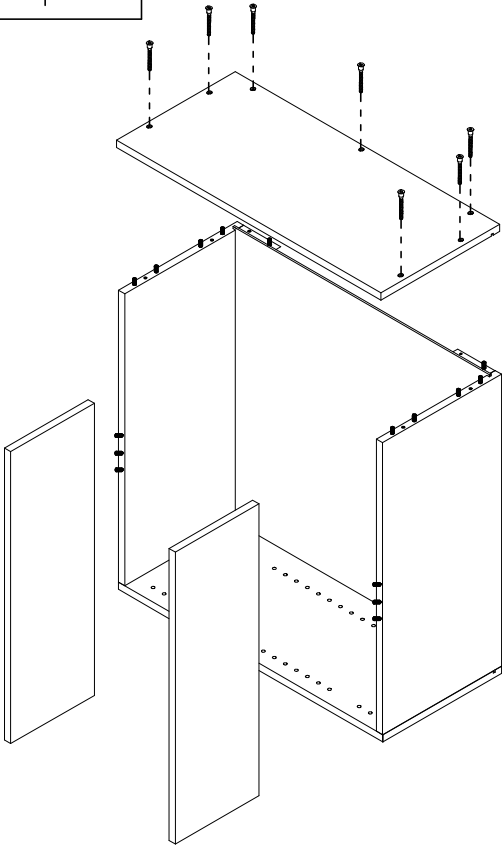
Step1



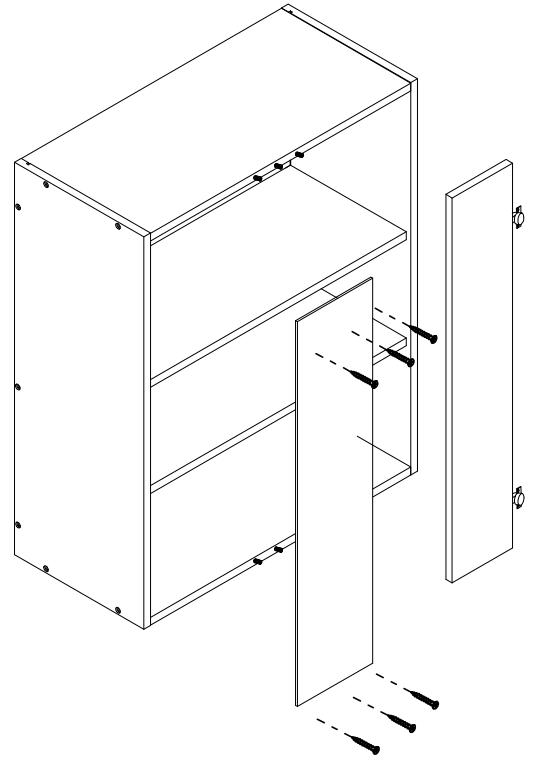
Step2



Step3



Step4



Step5

