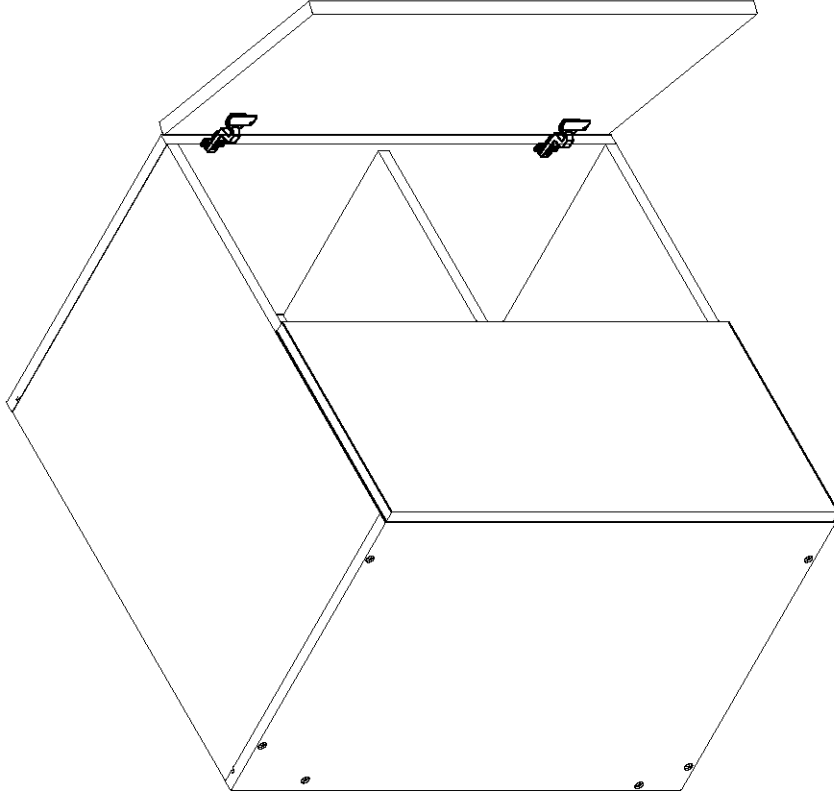


WALL CABINET ASSEMBLY INSTRUCTION






W3024
W3624



Assembly instructions

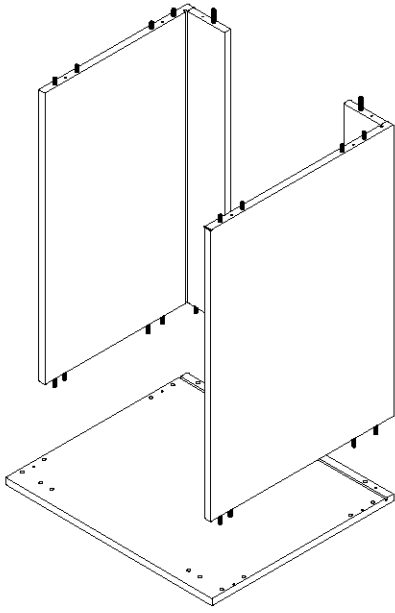
Carefully read the Instructions before starting the installation.

During assembly, please follow all generally accepted safety procedures.
If you are missing any part, please stop and contact us immediately at

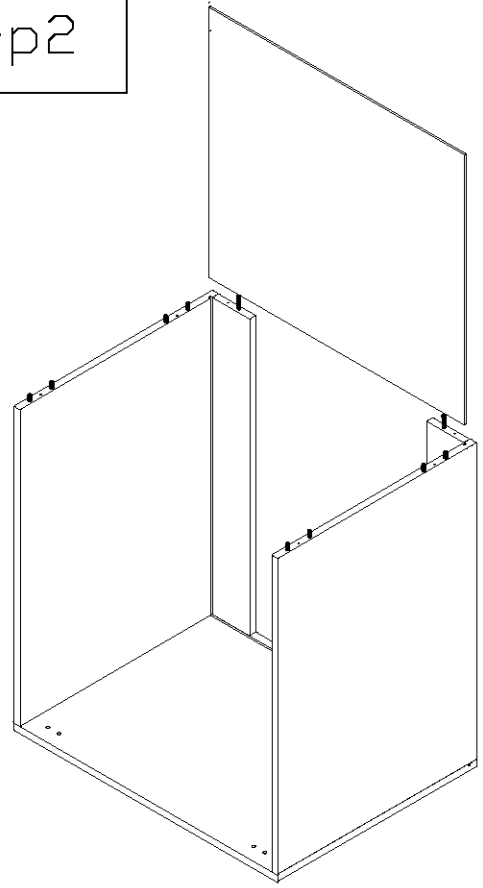
Hardware Fitting		
Hinge		4PCS
Shelf Support		4PCS
Screws	4*16 	24PCS
Bumper		4PCS
Cabinet Screws	7*50 	12CS

Left Side Panel	1PC
Right Side Panel	1PC
Bottom Panel	1PC
Back Panel	1PC
Support Rail	2set
Top Panel	1PC
Removable Shelf	1PC

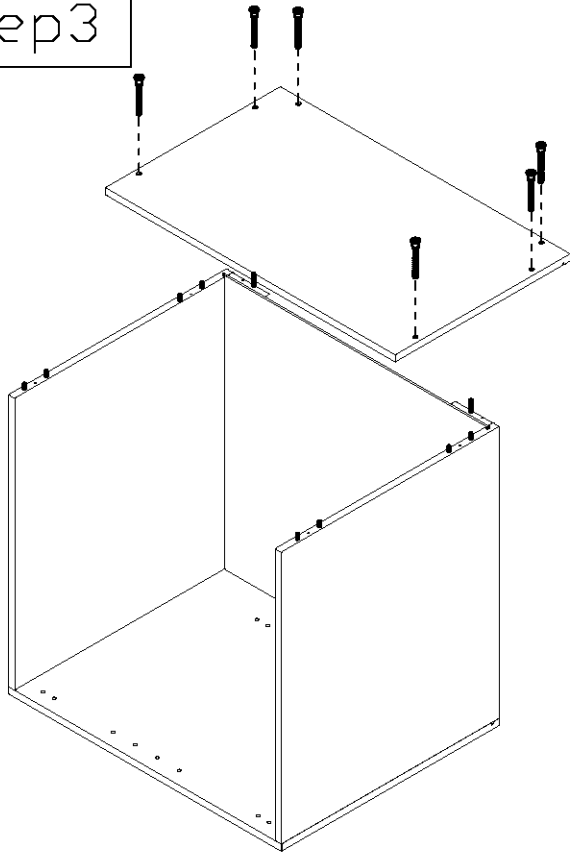
Step1



Step2



Step3



Step4

