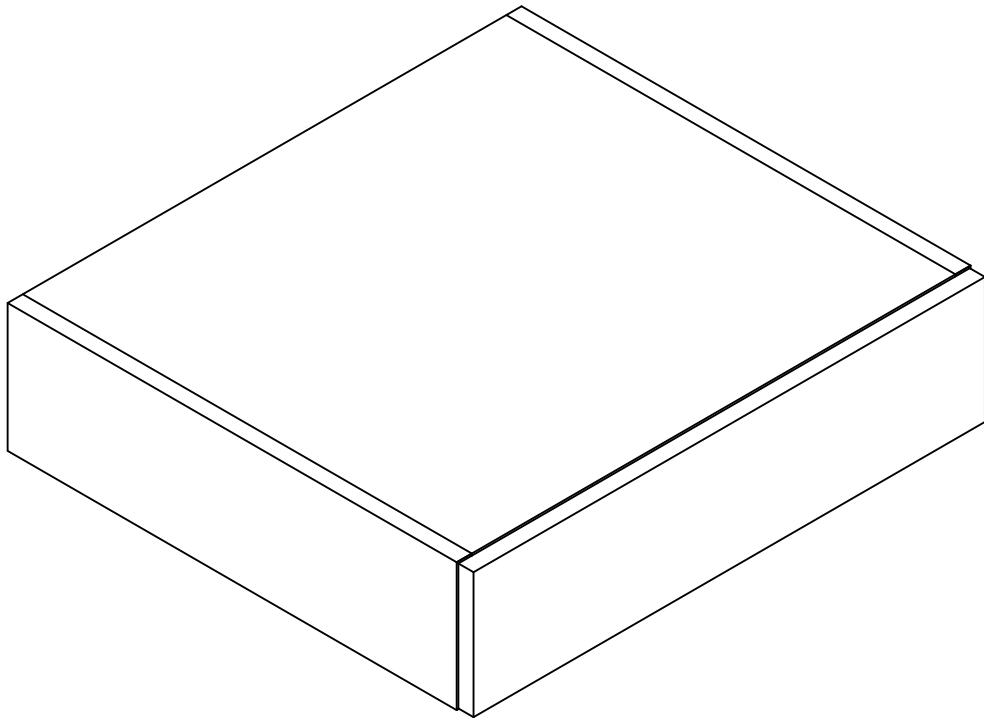


# BASE CABINET ASSEMBLY INSTRUCTION



VKD300621

