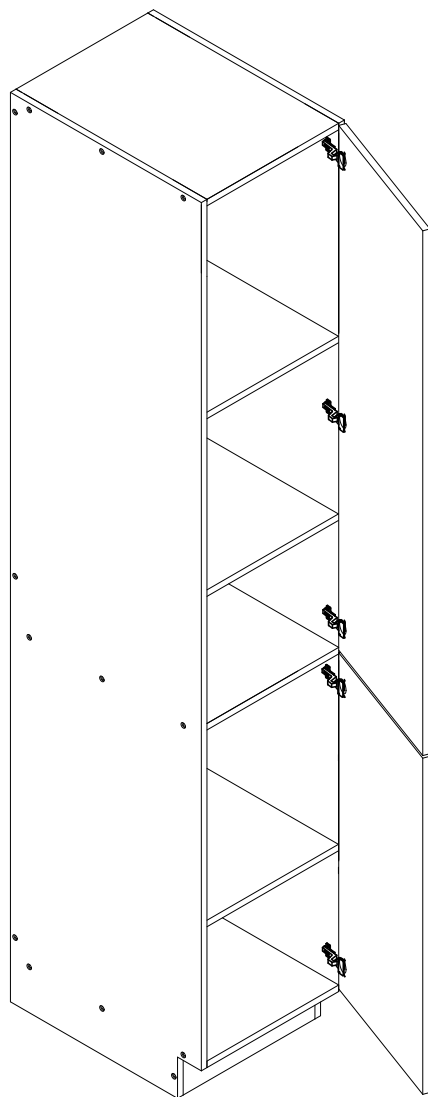


# BASE CABINET ASSEMBLY INSTRUCTION








PC1584  
PC1884  
PC1590  
PC1890  
PC1596  
PC1896

## Assembly instructions

Carefully read the Instructions before starting the installation.

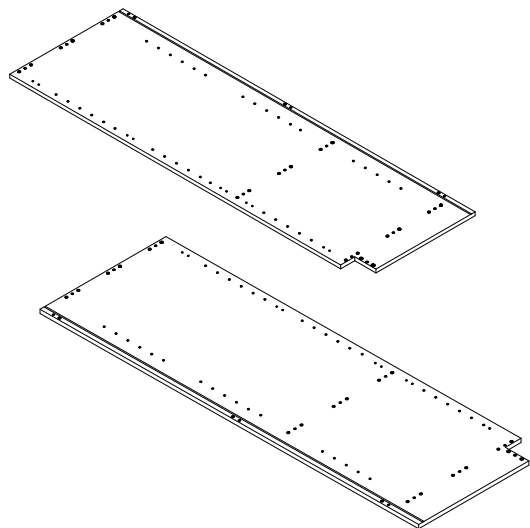
During assembly, please follow all generally accepted safety procedures.

If you are missing any part, please stop and contact us immediately at

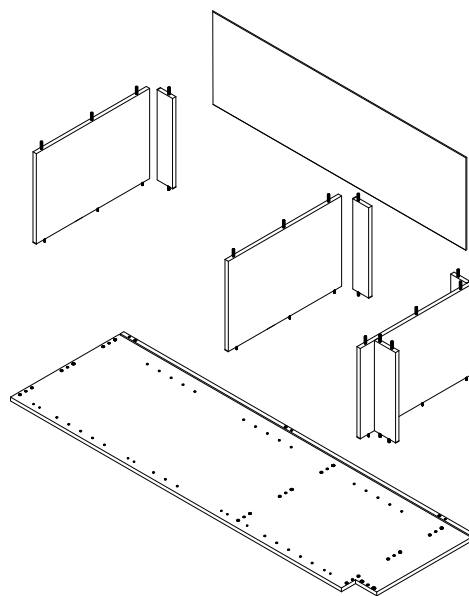
Hardware Fitting		
Hinge		5PCS
Shelf Support		12PCS
Screws	 4*16	20PCS
Bumper		4PCS
Cabinet Screws	 7*50	26PCS

Left Side Panel	1PC
Right Side Panel	1PC
Top Panel	1PC
Bottom Panel	1PC
Back Panel	1PC
Support Rail	3PC
Toe Kick	1PC
Removable Shelf	3PC
Fix shelf	1PC

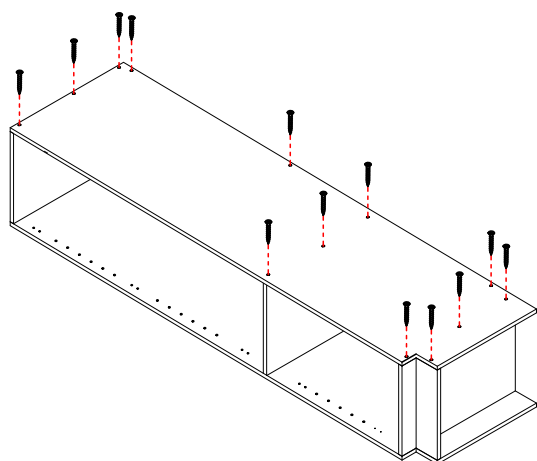
Step1



Step2



Step3



Step4

