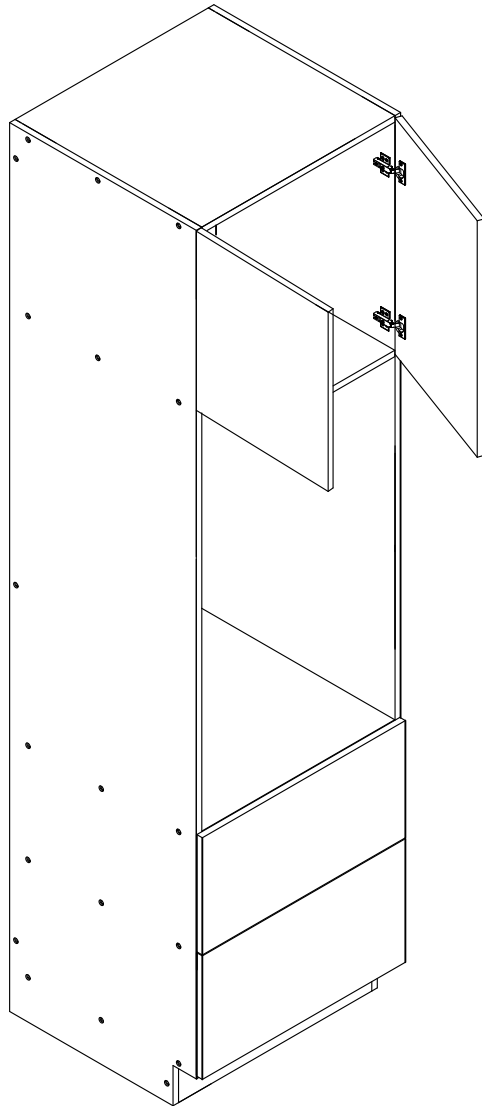


BASE CABINET ASSEMBLY INSTRUCTION

MOC3084
MOC3090










Assembly instructions

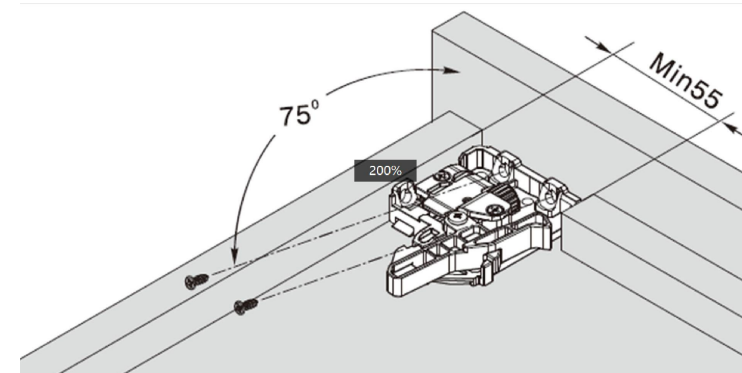
Carefully read the Instructions before starting the installation.

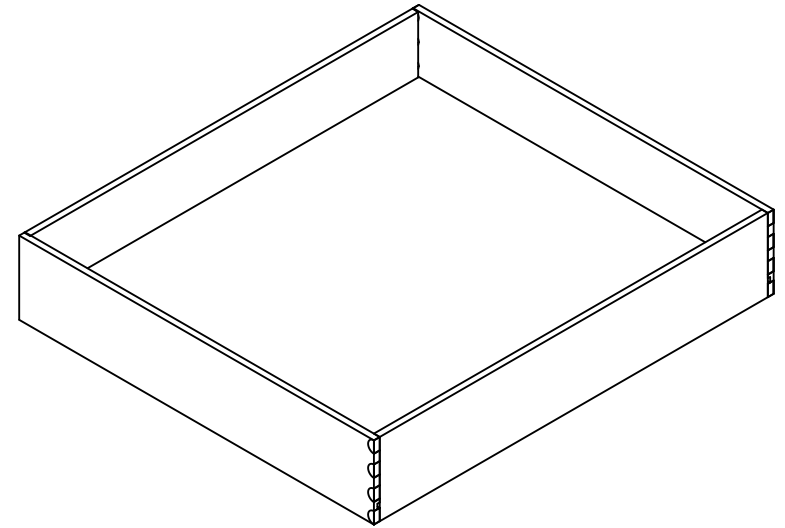
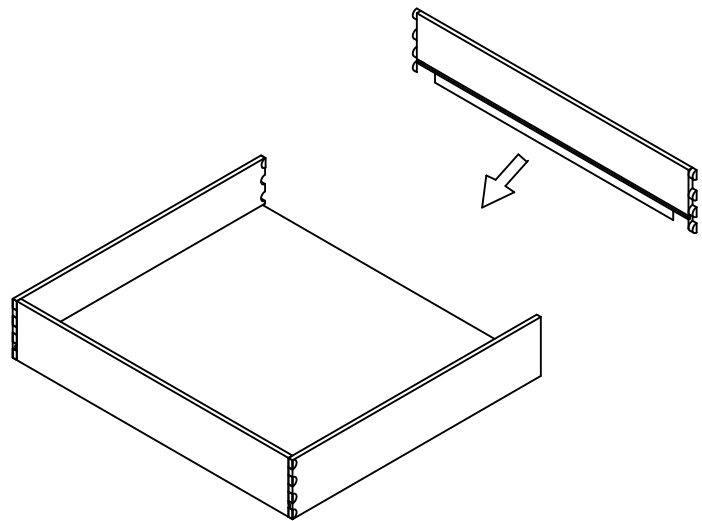
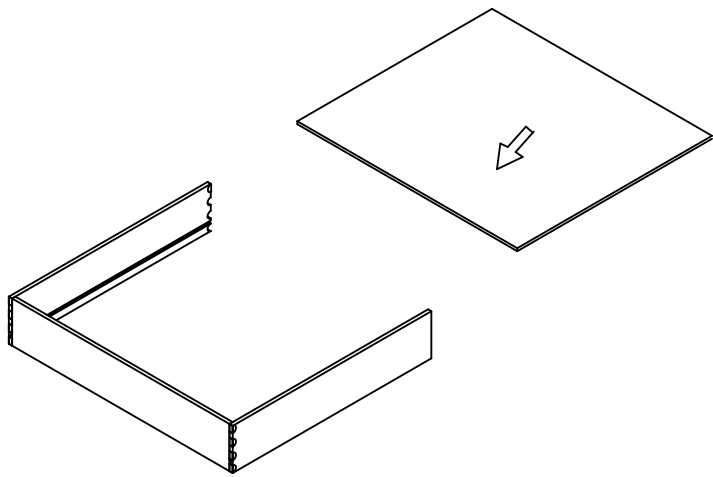
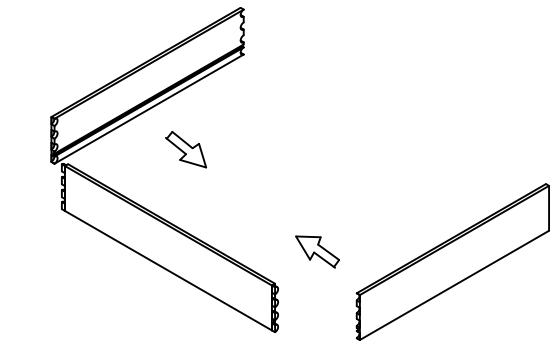
During assembly, please follow all generally accepted safety procedures.

If you are missing any part, please stop and contact us immediately at

Hardware Fitting		
Hinge		4PCS
Slide rail		2SET
Slide rail Screws	 6*11	8PCS
Screws	 4*16	16PCS
Drawer face Screws	 4*25	8PCS
Bumper		12PCS
Cabinet Screws	 7*50	32CS

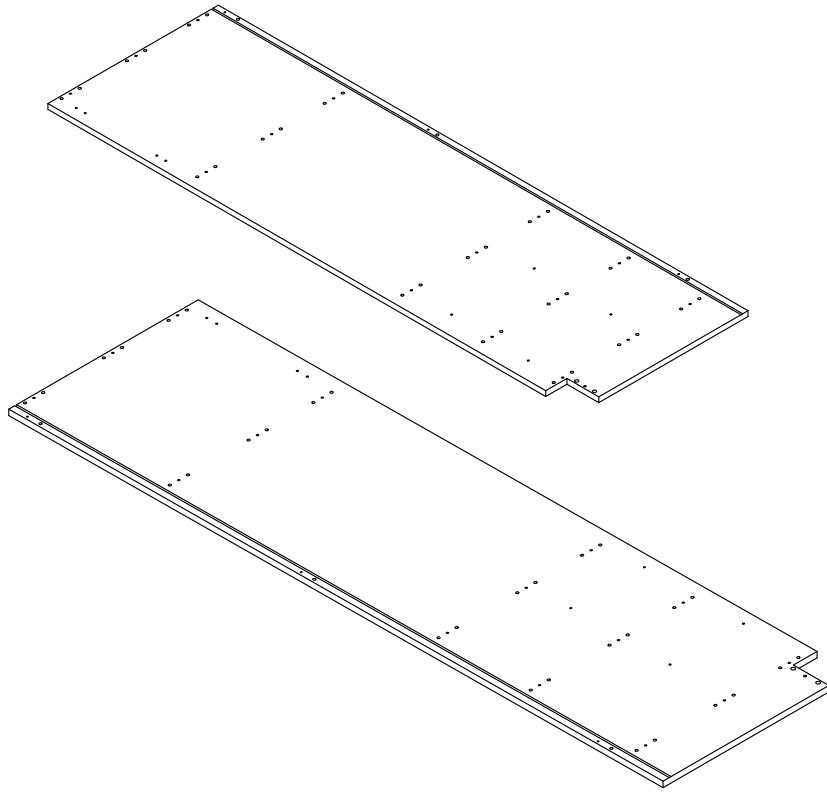
Left Side Panel	1PC
Right Side Panel	1PC
Top/Bottom Panel	2PC
Back Panel	1PC
Support Rail	3PC
Toe Kick	1PC
Fixed Shelf	2PC
Drawer Side	4PC
Drawer Box Front	2PC
Drawer Box Back	2PC
Drawer Box Bottom	2PC





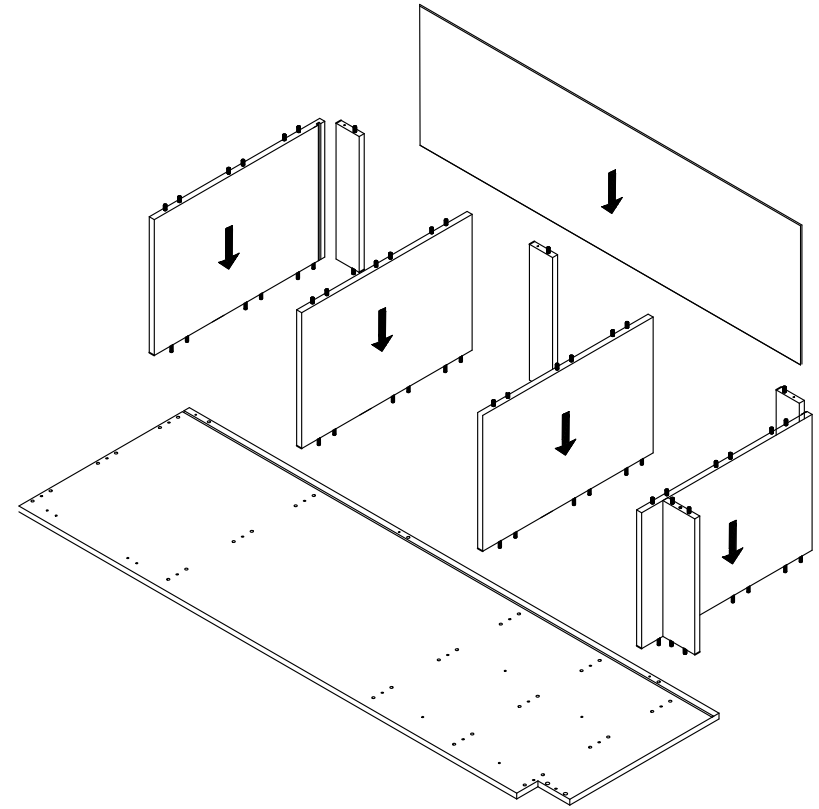
Step1

Single oven
Double oven



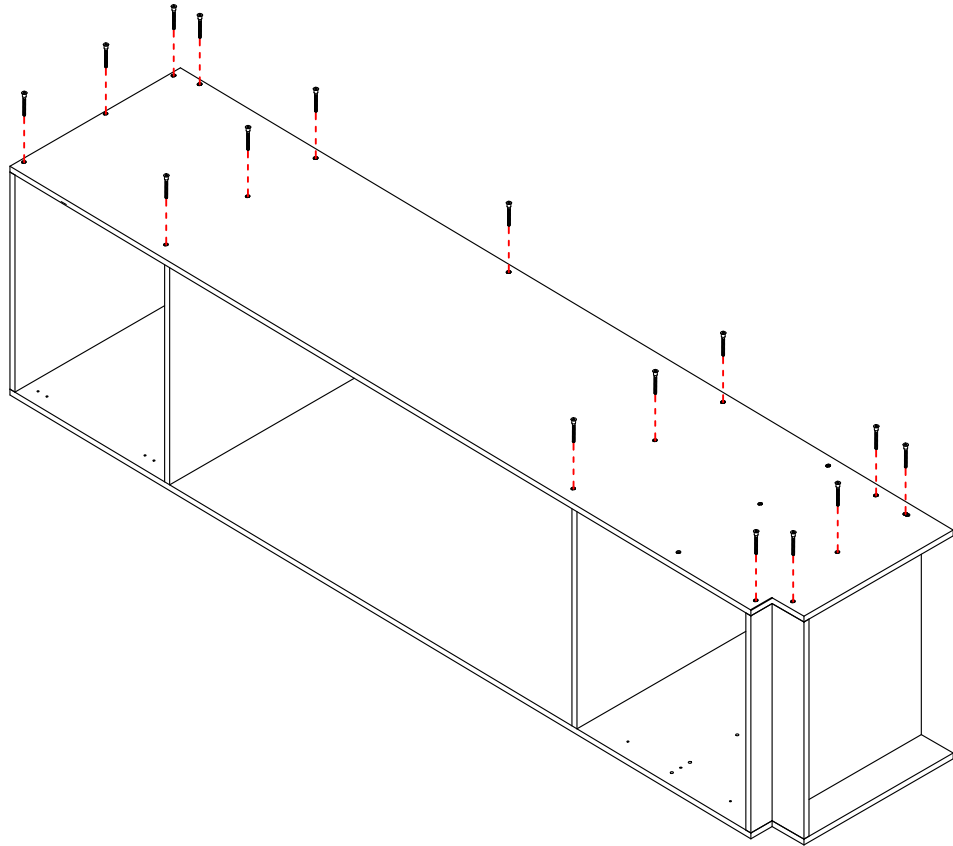
Step2

Single oven
Double oven



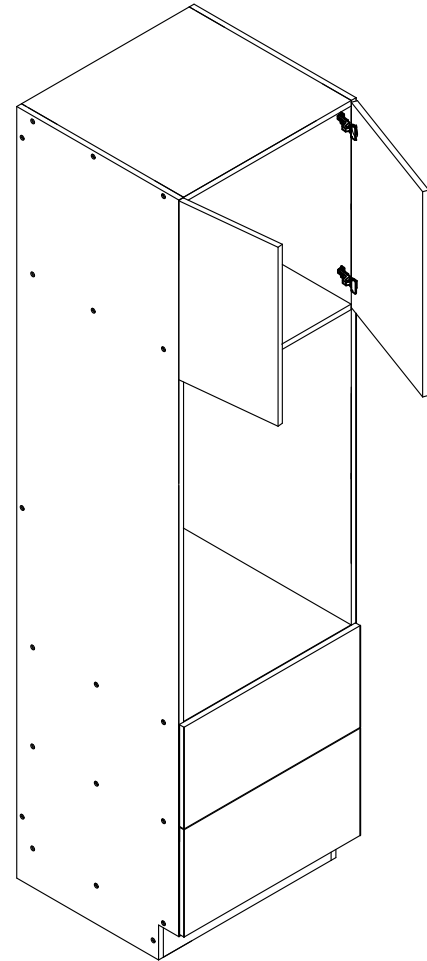
Step 3

Single oven



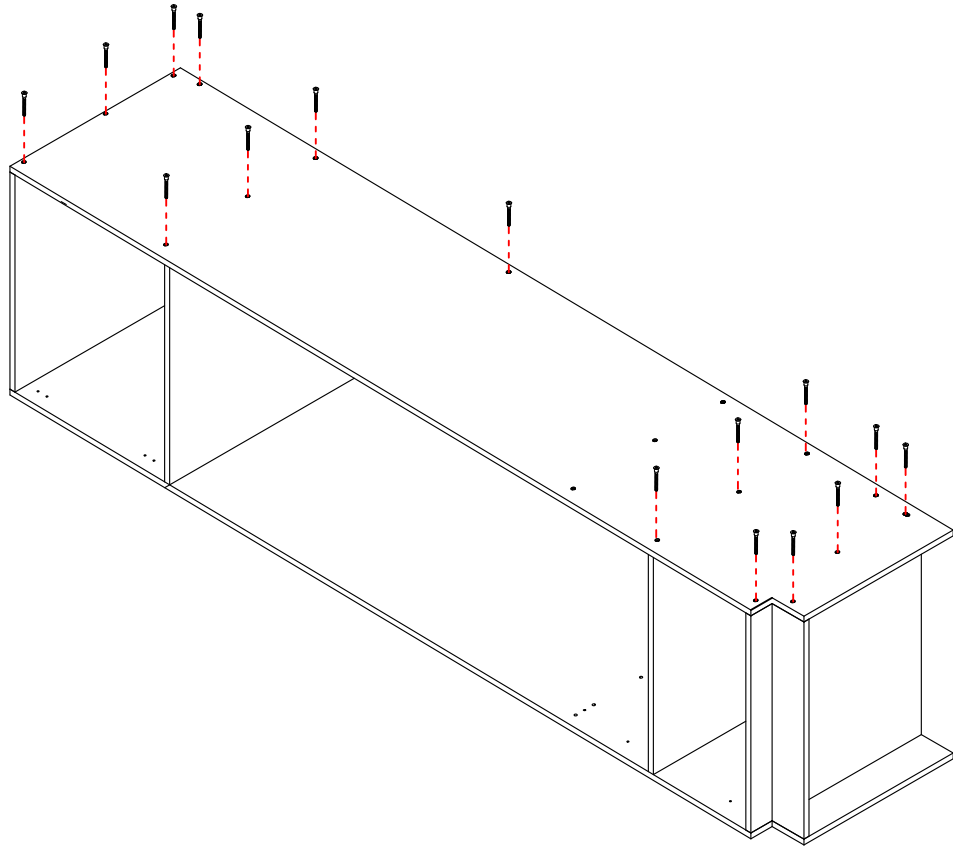
Step 4

Single oven



Step 5

Double oven



Step 6

Double oven

