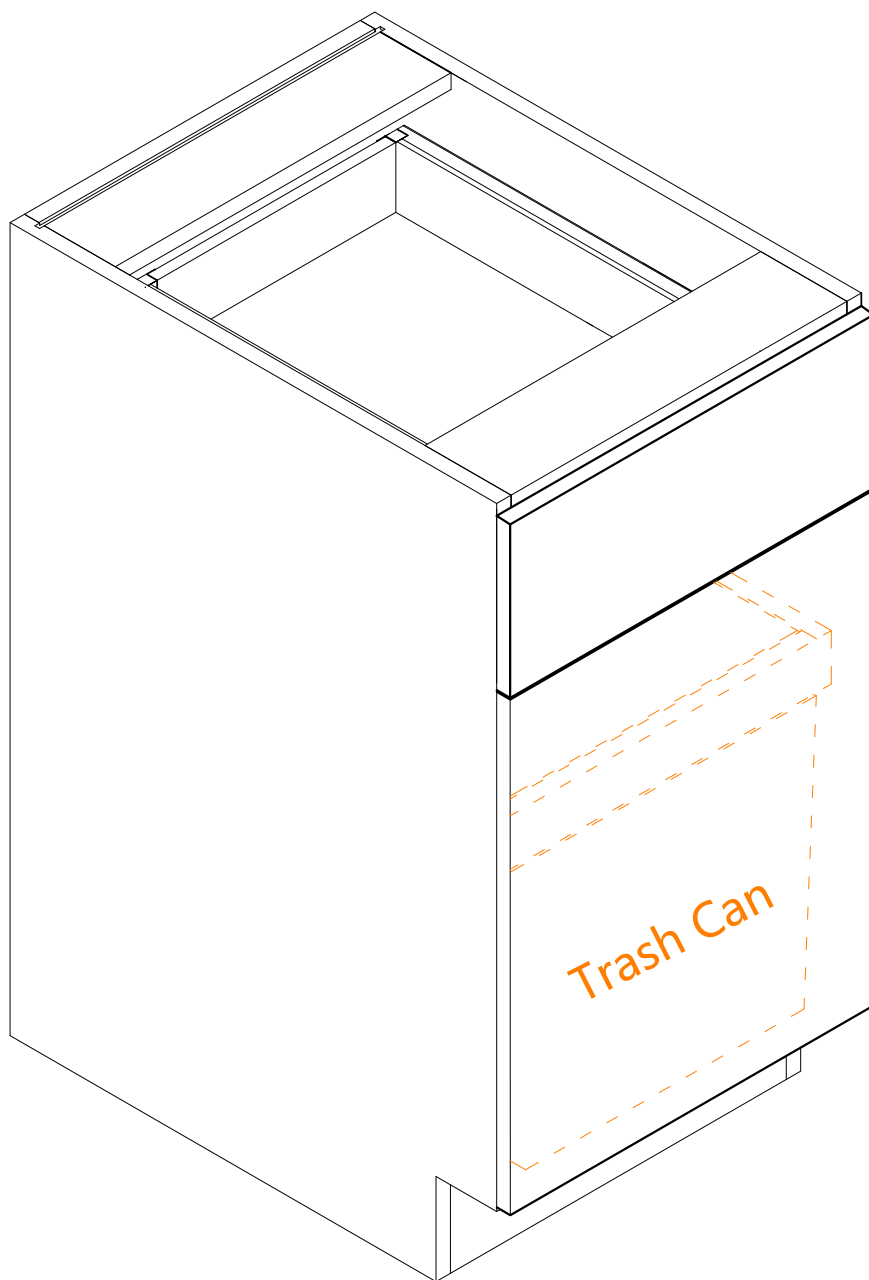
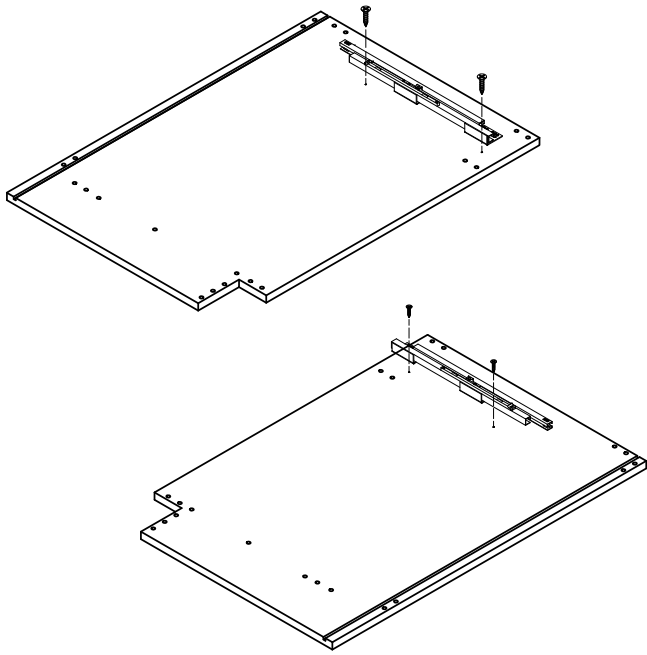


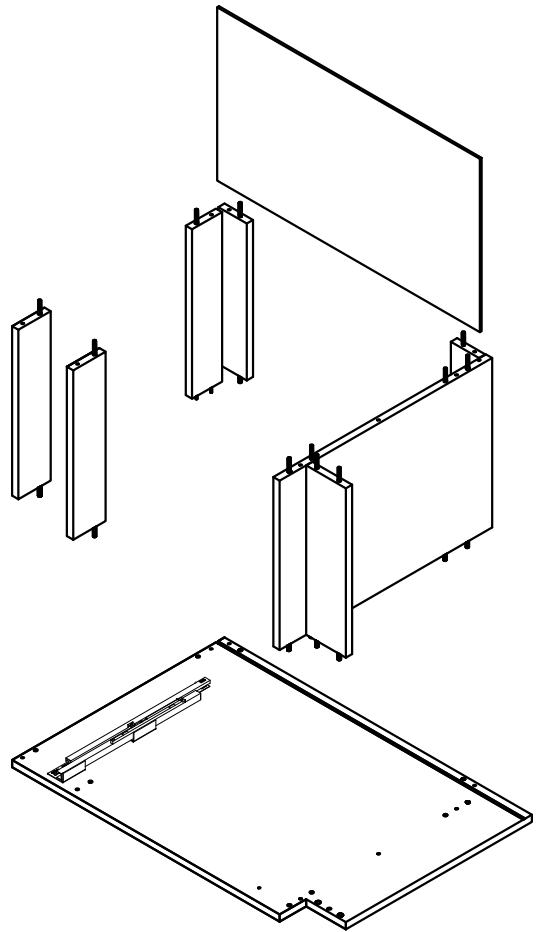
# TRASH CAN BASE CABINET ASSEMBLY INSTRUCTION

L BTC18

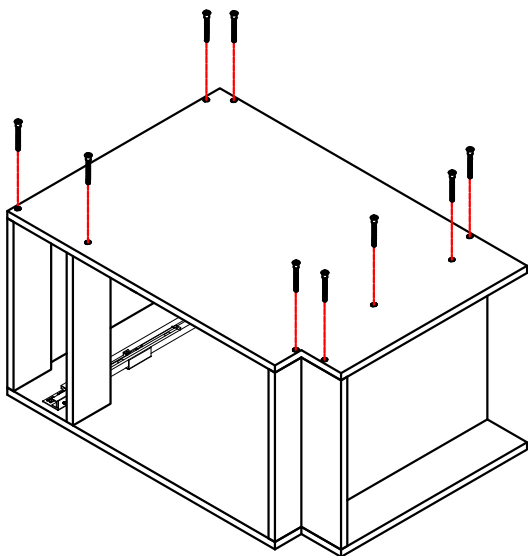




Step-1

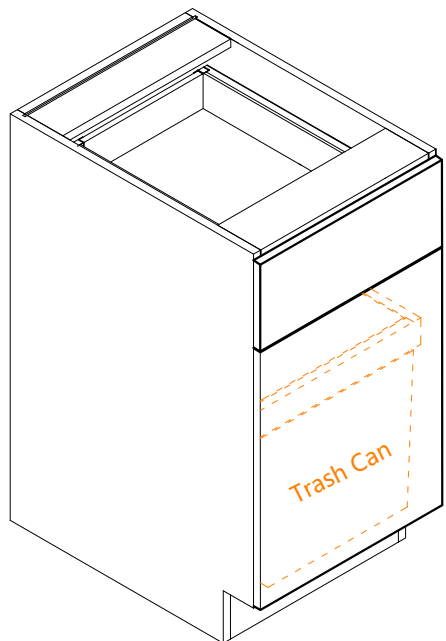


Step-2



The other side panel is also assembled with the screw

Step-3



Refer to the trash can installation manual for trash can hardware

Step-4

