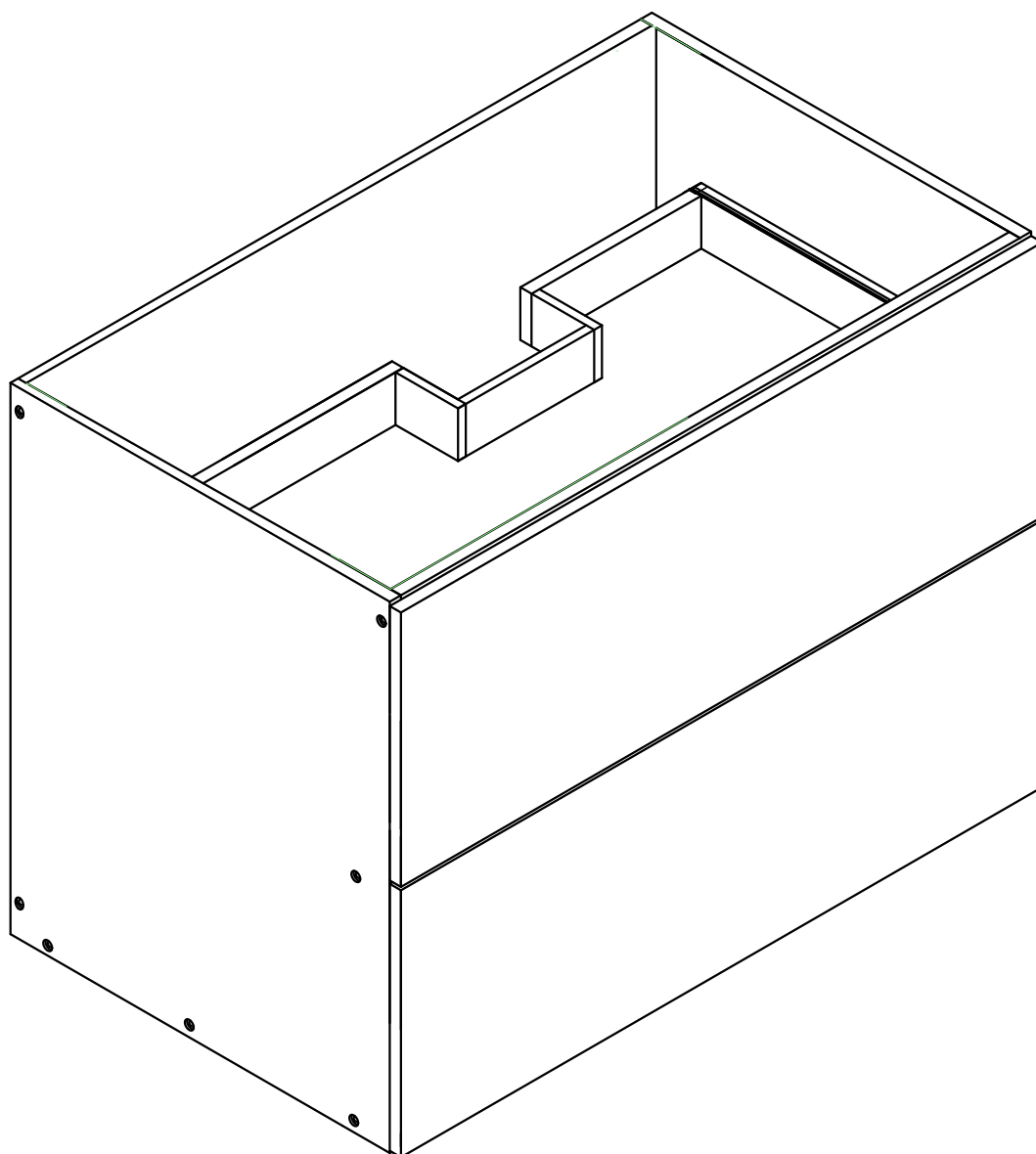


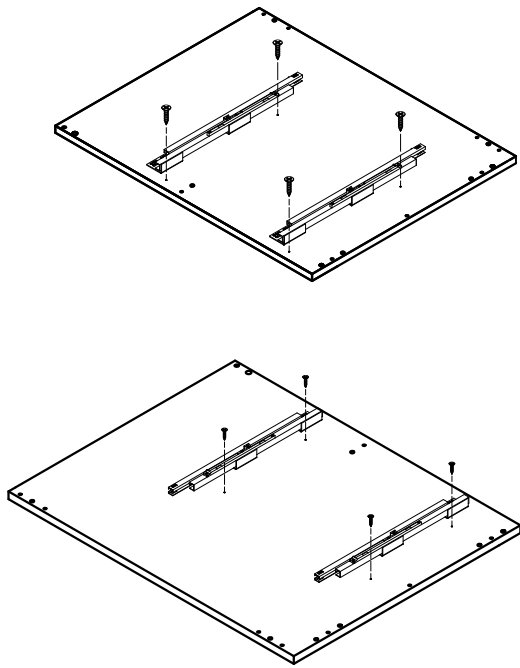
BASE CABINET ASSEMBLY INSTRUCTION



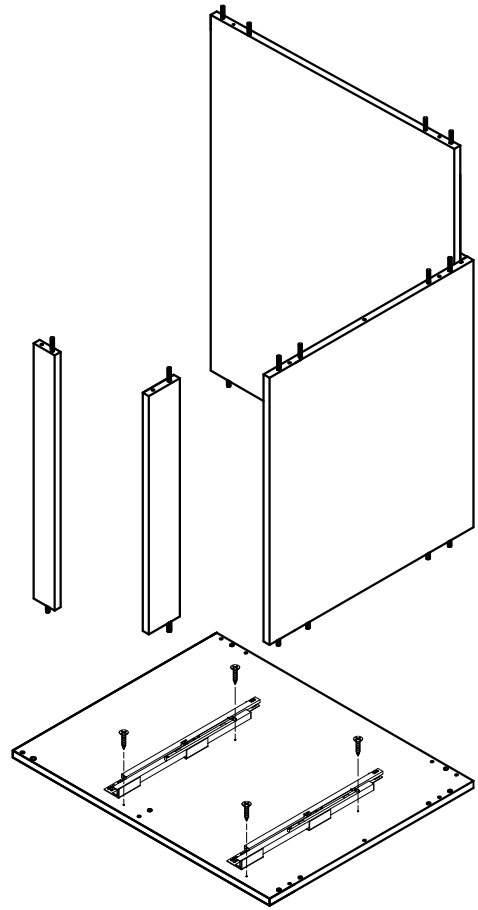
FVDB24

FVDB30

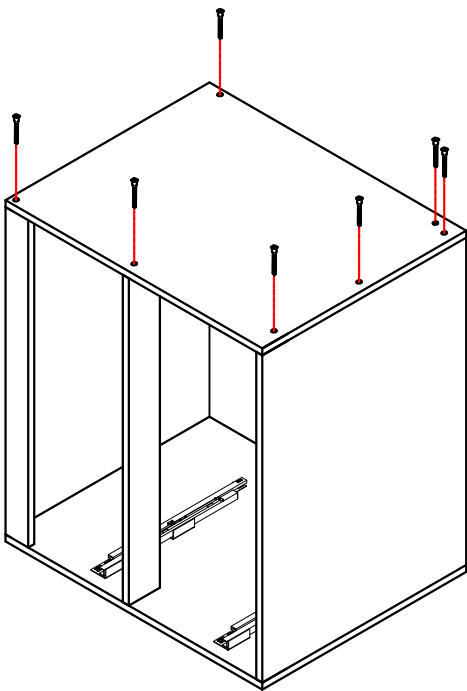
FVDB36



Step-1

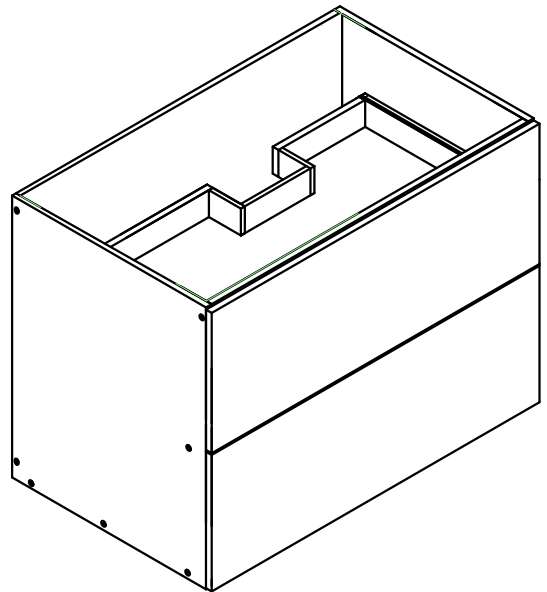


Step-2



The other side panel is also assembled with the screw

Step-3



Step-4

C:\Users\Administrator\Documents\Work\1688851750346629\Cache\image\2023-08-08_16917174938610(1).png

C:\Users\Administrator\Documents\Work\1688851750346629\Cache\image\2023-08-08_16917174938610(1).png

