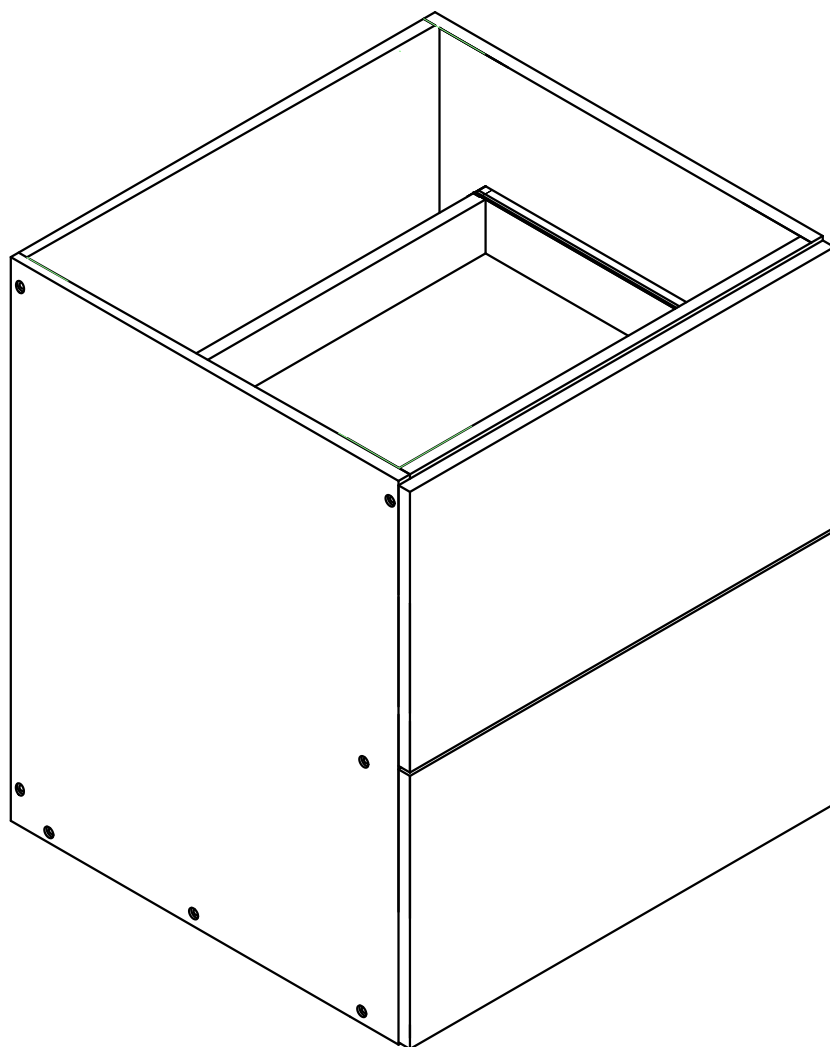
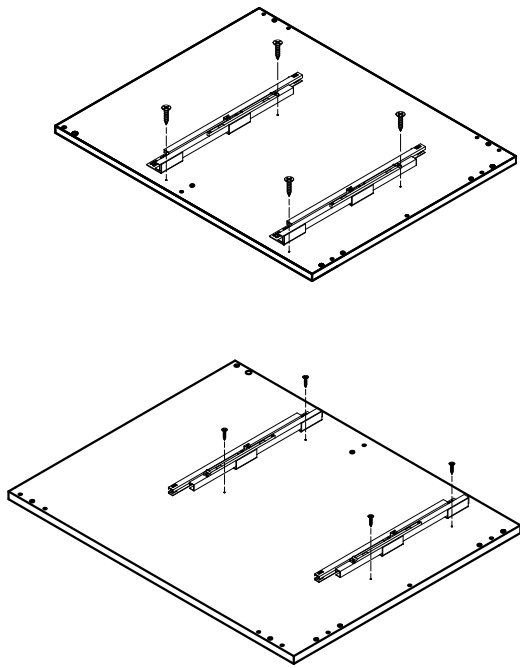


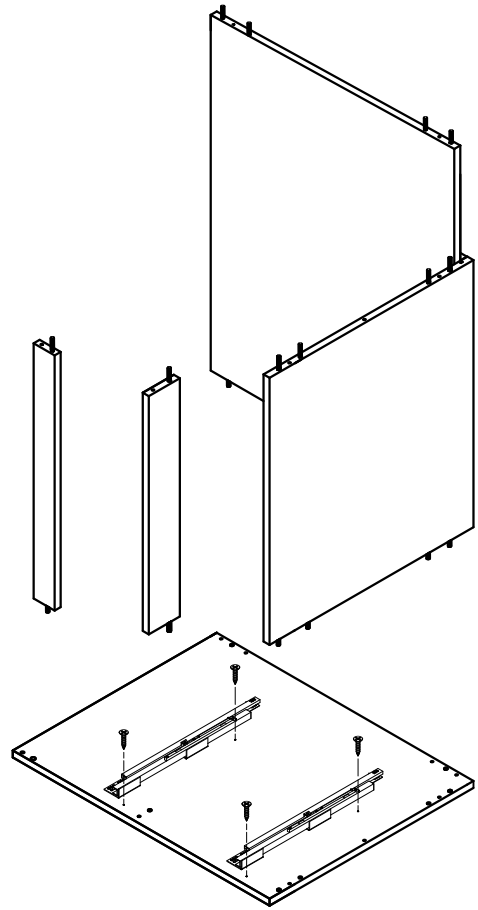
BASE CABINET ASSEMBLY INSTRUCTION



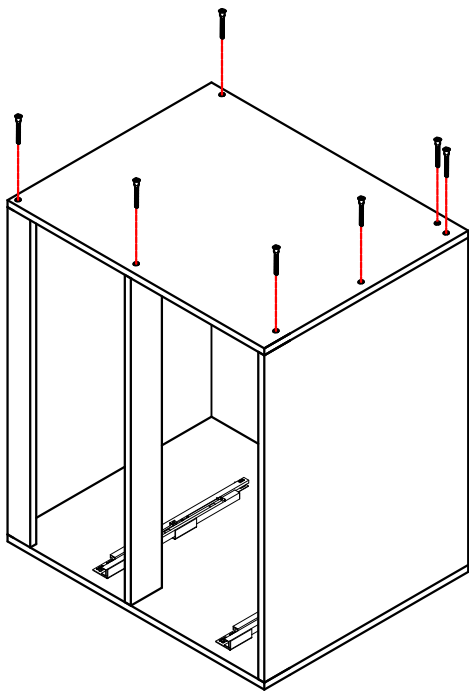
FVDB12
FVDB15
FVDB18
FVDB21



Step-1

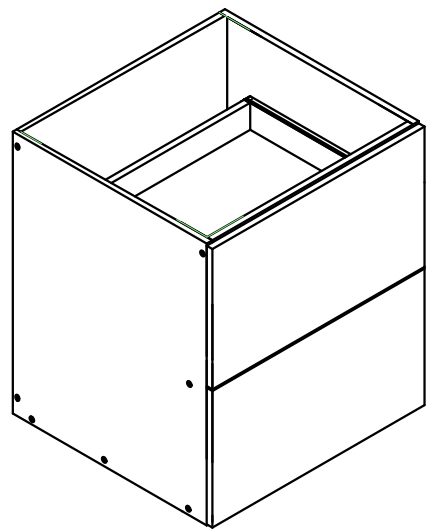


Step-2



The other side panel is also assembled with the screw

Step-3



Step-4

