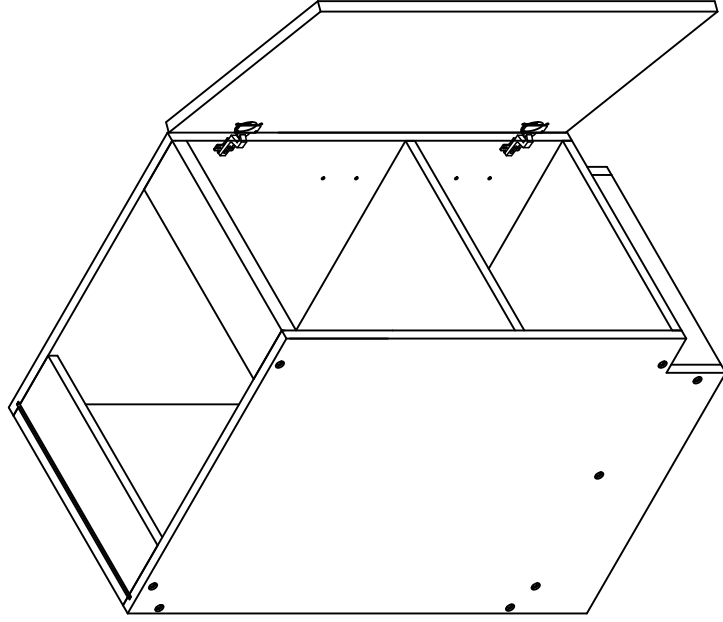


# FULL DOOR BASE CABINET ASSEMBLY INSTRUCTION






B(09-21)FD



## Assembly instructions

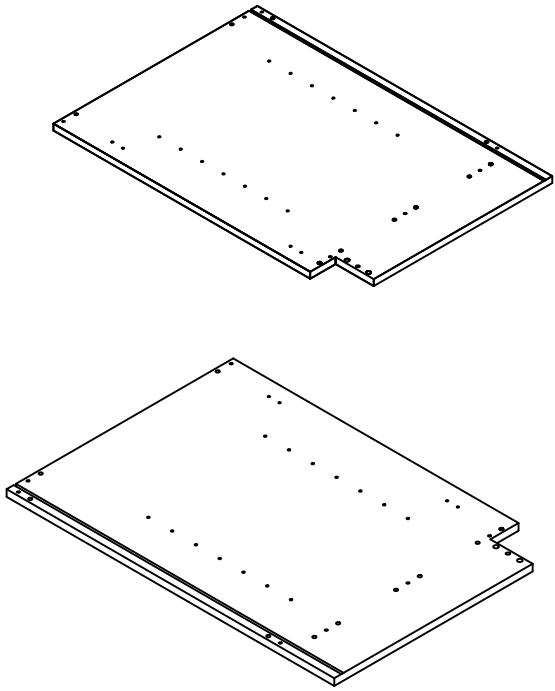
Carefully read the Instructions before starting the installation.

During assembly, please follow all generally accepted safety procedures.  
If you are missing any part, please stop and contact us immediately at

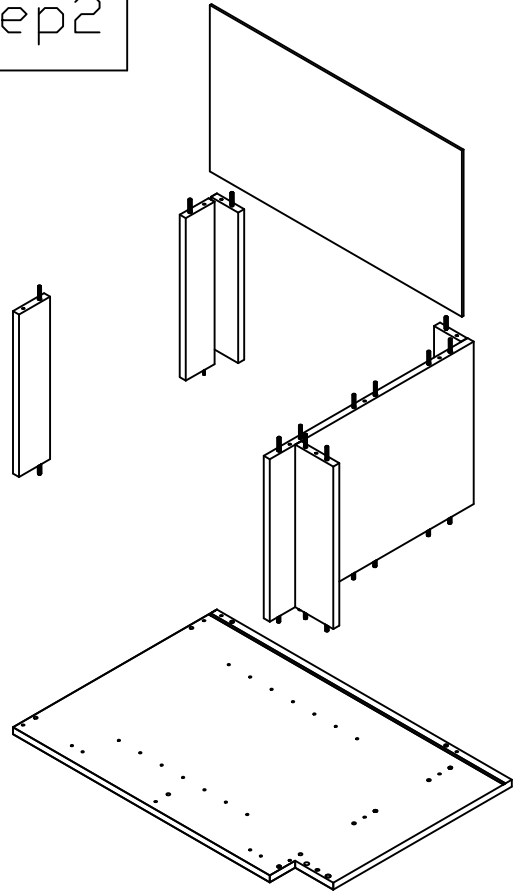
Hardware Fitting		
Hinge		2PCS
Shelf Support		4PCS
Screws	4*16 	12PCS
Bumper		2PCS
Cabinet Screws	7*50 	16PCS

Left Side Panel	1PC
Right Side Panel	1PC
Bottom Panel	1PC
Back Panel	1PC
Support Rail	4set
Toe Kick	1PC
Removable Shelf	1PC

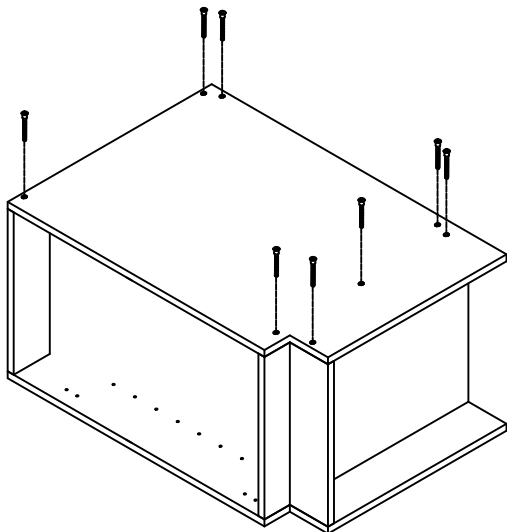
Step1



Step2



Step3



Step4

